



**HAKO**

*Clean ahead*

# Assembly Manual

**Manual suction tool / mop holder (7036.75)**

## Introduction

### **Foreword**

This assembly manual may be used only in conjunction with the operating manual of the machine.

### **Safety instructions**

Please observe the general safety regulations of the corresponding machine in the relevant operating manual. Place the machine on a level surface and secure it with the parking brake. Switch the machine off and pull out the key.

We would expressly advise you that no legal claims may be asserted based on the contents of this manual. In the case of necessary repair work, please make sure that only original spare parts are used. Only original spare parts guarantee constant and reliable operational readiness of your machine. We reserve the right to make changes in the interests of further technical development.

Valid as from: Mai 2018

**Hako GmbH**  
**23843 Bad Oldesloe, Germany**  
**Hamburger Str. 209-239**  
**Phone +49 4531 806-0**

## 1 Manual suction tool / mop holder

### 1.1 Parts list

- 1 1x holder, pre-assembled
- 2 2x flanged button head bolts (with hexagon socket) M8x12
- 3 2x washers 8.4 A2G
- 4 1x device holder
- 5 2x flanged button head bolts M3x10
- 6 2x washers 3.2
- 7 2x hex nuts M3
- 8 1x set-down plate for tool

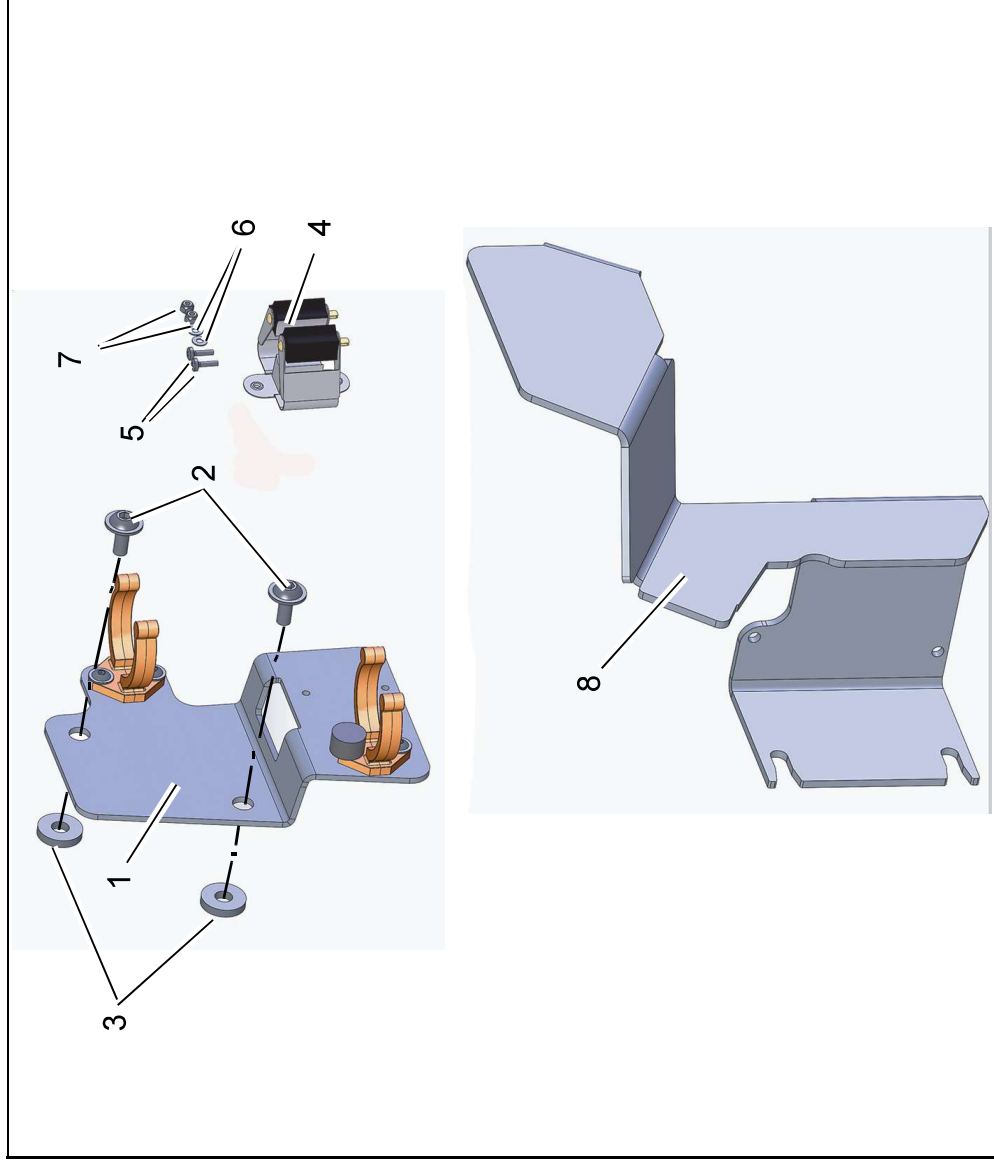


Fig. 1

## Manual suction tool / mop holder

### 1.2 Holder assembly

#### For manual suction tool (Fig. 2/A)

1. Holder, pre-assembled (Fig. 2/1) with flanged button head bolts M8x12 (Fig. 1/2) and washers 8.4 (Fig. 1/3), fit to left-hand side of machine as shown in the illustration. Maximum tightening torque 10 Nm.
2. Slightly slacken the fastening screws M8x25 of the side scraper (Fig. 2/2) and slide set-down plate for tool sideways as far as the slackened screws (Fig. 2/3).
3. Re-tighten the fastening screws.

#### For mop (Fig. 2/B)

1. Remove the two hose holders from the pre-assembled holder.
2. Fit device holder with the two flanged button head bolts, washers and nuts as shown in the illustration.
3. Continue with installation: see points 1 – 3 *For manual suction tool* above.

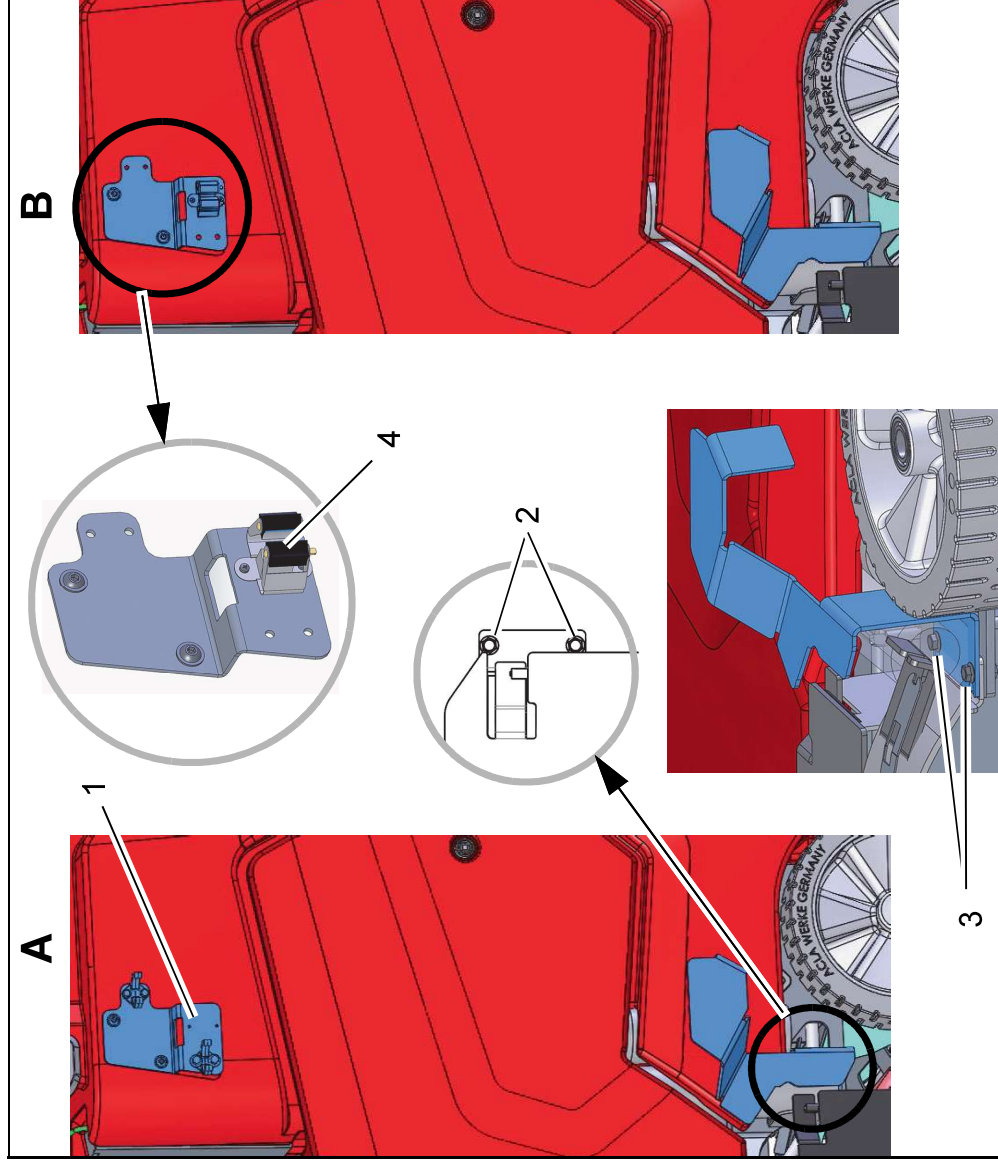


Fig. 2

Manual suction tool / mop holder



*Clean ahead*

# Advanced Technology for a Cleaner, Better Environment



Hako GmbH · Head Office · Hamburger Str. 209-239 · 23843 Bad Oldesloe · Germany  
Phone +49 4531 806-0 · Fax +49 4531 806-338